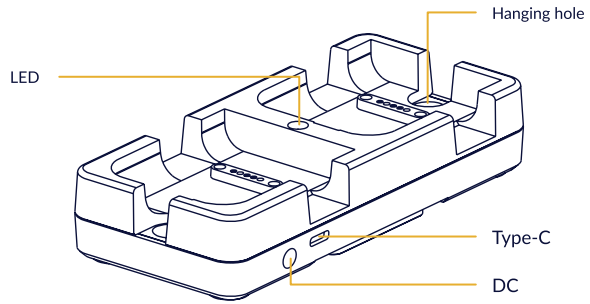


CD50
WD2 Charging Cradle



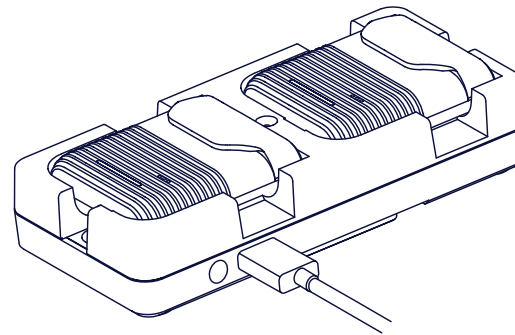
Quick Guide V1.0



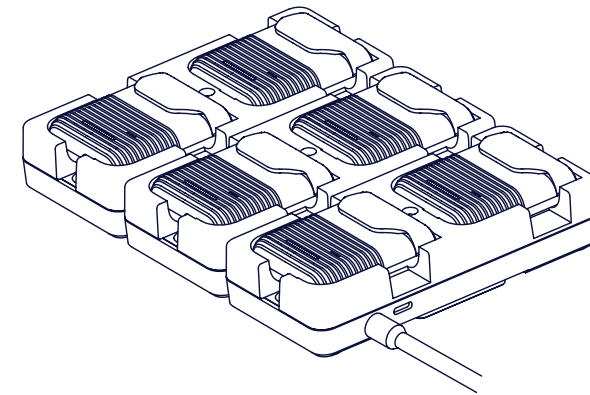
LED indicator

Green LED: full charge
Red LED: charging
LED in the cradle indicates the charging status of the cradle
LED in the scanner indicates the charging status of the scanner

1



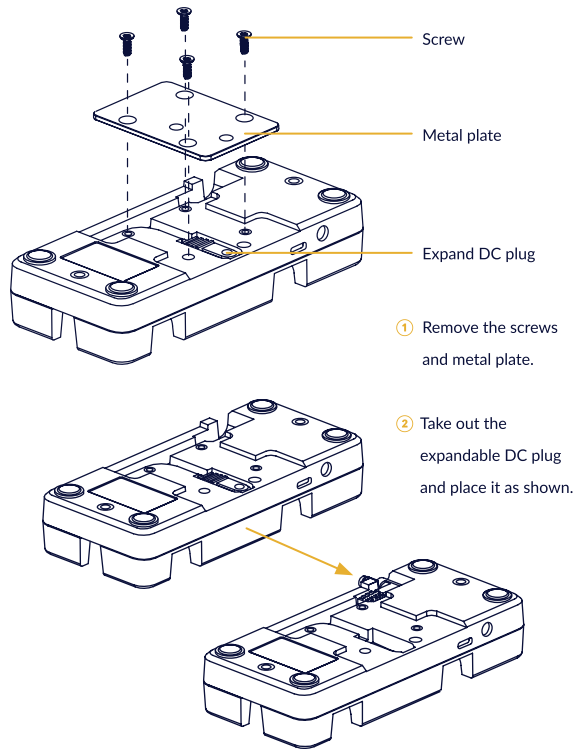
2



A maximum of five cradles linked per power source is recommended.

3

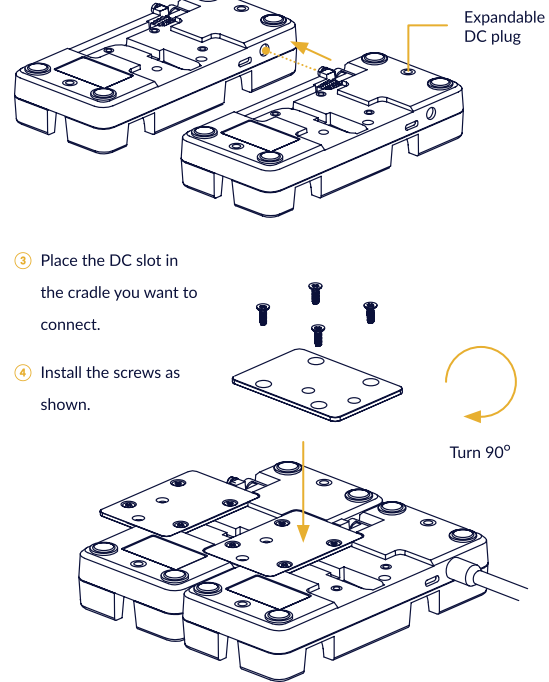
Installation instruction



- 1 Remove the screws and metal plate.
- 2 Take out the expandable DC plug and place it as shown.

4

Installation instruction



- 3 Place the DC slot in the cradle you want to connect.
- 4 Install the screws as shown.

Turn 90°

5

CE/FCC



Marking and European Economic Area (EEA)

Use of Bluetooth through the EEA has the following restrictions:

- Maximum radiated transmit power of 10mW EIRP in the frequency range 2.400-2.4835 GHz.
- Italy requires a user license for outside usage.

**Radio Frequency Interference Requirements
Radio Transmitters (Part 15)**

This device complies with Part 15 of the FCC Rules. Operation is subject to the following two conditions: (1) This device may not cause harmful interference, and (2) this device must accept any interference received, including interference that may cause undesired operation.



FOR HOME OR OFFICE USE

For more information, please visit
www.newland-id.com

6

CD50

Name: CD50 WD2 Charging Cradle
Manufacturer: Newland EMEA
All technical information are subject to the actual performance, Newland reserve the right of final explanations.

Newland Europe BV
Rolweg 25
4104 AV Culemborg
The Netherlands