

FM80
Salmon

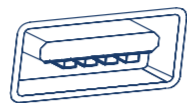


Quick Start Guide V1.0

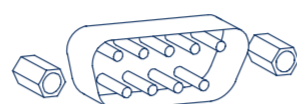
The FM80 barcode scanner (hereinafter referred to as "the FM80" of "scanner"), armed with the Newland patented **UIMG**, a computerized image recognition system, blends image recognition algorithm and manufacturing, which significantly simplifies application design and delivers superior performance and solid reliability.

The FM80 supports all mainstream 1D and standard 2D. It can read barcodes on commodities and mobile phones, featuring excellent scanning performance and easy installation.

The scanner must be connected to a host device in an actual application, such as a PC, POS, or any intelligent terminal with a USB or RS-232 port, using a USB or RS-232 cable.

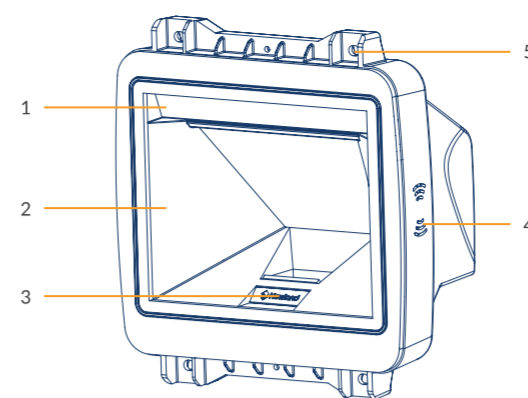


USB port on the host device



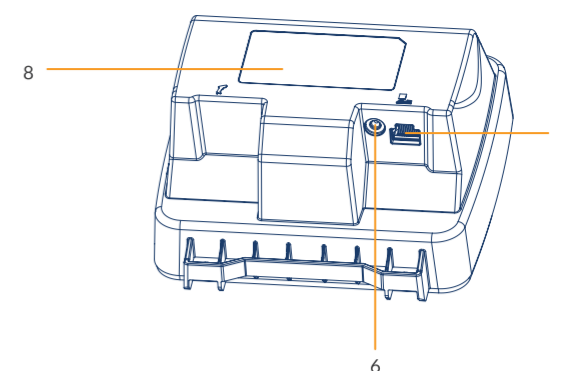
RS-232 port on the host device

1



- 1 Illumination LED for supplementary lighting, not to look at the illumination LED directly for a long time;
- 2 Scan window, the barcode shown in the scan window will be decoded;
- 3 Status indicator, used to indicate the working status;
- 4 Sound hole, the sound is emitted from the hole;
- 5 Mounting hole;

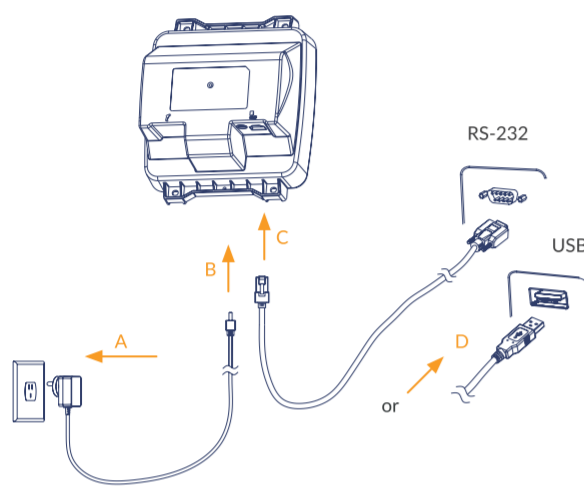
2



- 6 DC port, to connect the adapter for the FM80;
- 7 RJ45 port, to connect the scanner with the cable;
- 8 Position of label, where the label is pasted.

3

Installation



Power on

- 1 For the FM80 with the adapter, connect the adapter first and power on the FM80 according to step A and step B in shown above. Then connect the data cable (USB data cable or RS-232 data cable) according to step C and step D.
- 2 For the FM80 without the adapter, it supports power supply via the USB port according to step C and step D.
- 3 It is not allowed to connect the non-standard and damaged adapter and forbid conducting step B without step A.

4

Installation

Power off

- 1 For the FM80 with the adapter, disconnect the data cable (USB data cable or RS-232 data cable) firstly and then unplug the adapter.
- 2 For the FM80 without the adapter, directly disconnect the data cable.

5

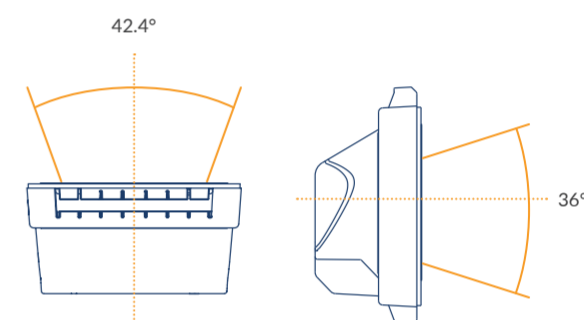
Status indicator

- Blue LED on:** Initializing or configuration process
- Green LED on:** It indicates successful decode
- Cyan LED on:** Configuration is successful
- Yellow LED on:** The decoding is successful, but an alarm is emitted due to data transmission failure. Please check if the data cable connection is loose.
- Red LED on:** An alarm occurs because of a barcode scanning module malfunction. Please contact technical support.
- Red LED flashes:** An alarm for low input voltage. For the FM80 with the adapter, please check whether power supply of the adapter is normal. For the FM80 without the adapter, it may be because of insufficient power supply of the USB interface.

6

Barcode scanning

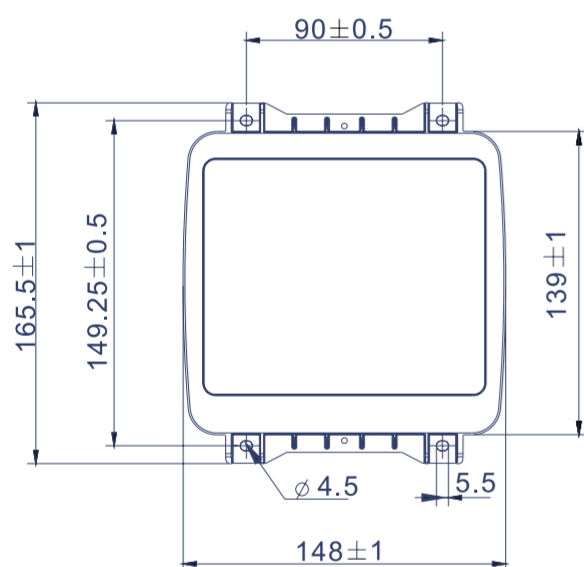
- 1 Make sure that the scanner, the data cable, the host, and the power supply are properly connected and powered on normally.
- 2 Place the barcode in the field of view as shown below and aim it at the scan window. The illumination LED will be activated, the red illumination area will appear and the decoding process will begin.
- 3 When the good read beep sounds and the green LED is on, it indicates the decoding is successful. The scanner will transmit the decoded data to the host.



7

Installation

Please fix the FM80 through the screw holes.



8

General parameter setting process

1. Enter / Exit setup



Enter setup



** Exit setup

2. Factory defaults



Restore all factory defaults

9

General parameter setting process

3. USB interface conversion



USB CDC



** USB-KBW

4. Terminating character suffix



Disable terminating character suffix



** Enable terminating character suffix

10

General parameter setting process

5. Terminating character suffix



Set terminating character suffix



** Set terminating character to CR (0x0D)



Set terminating character to CR (0x0D, 0x0A)

11

General parameter setting process

6. Volume



** Loud



Medium



Low

7. Query product information



Query product information

12

FCC

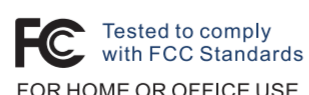
Radiofrequency interface requirements

Radio transmitters (part 15)

This device complies with part 15 of the FCC rules.

Operation is subject to the following two conditions:

- 1 This device may not cause harmful interference.
- 2 This device must accept any interference received, including interference that may cause undesired operation.



13

CE / WEEE



Marking and European Economic Area (EEA)

Statement of Compliance

We hereby declare that this device complies with the essential requirements and other relevant provisions of Directive 2014/53/EU.

The ventilation should not be impeded by covering the ventilation openings with items such as newspapers, table cloths, curtains, etc.;

This product's max operating ambient temperature is 50 degrees C.

⎓ Direct Current Symbol



Recycling

This product bears the selective sorting symbol for waste electrical and electronic equipment (WEEE). This means that this product must be handled pursuant to European directive 2012/19/EU in order to be recycled or dismantled to minimize its impact on the environment.

14

More information



Visit our website
newland-id.com